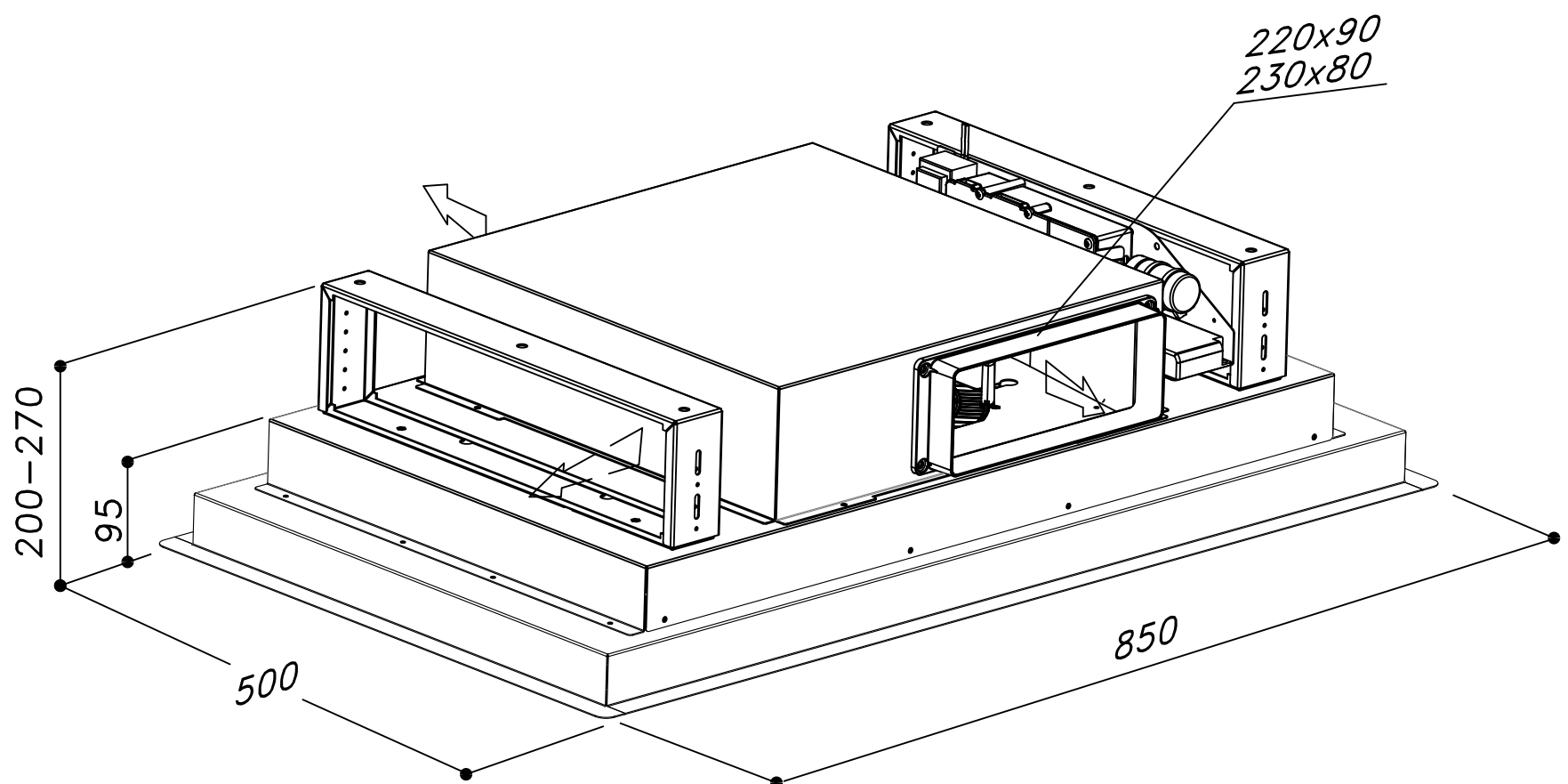


# S974

radial motor



*For the installation, create a false ceiling with a niche of 815mm for 465mm whose minimum height to be reached is 200mm*

15-11-2018