

Shower Tray Installation Manual

COSENTINO
BATH



SILESTONE

—

DEKTON

—

SENSA

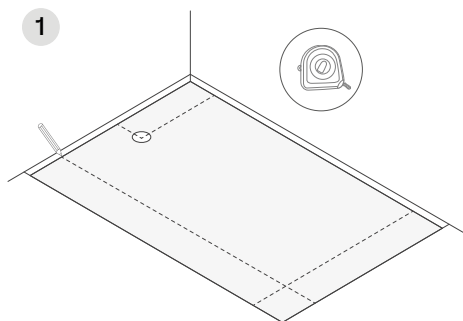
TECHNICAL
CONTENT

Shower Tray Installation Manual

- During installation, the top of the tray must be protected with cardboard or plastic to prevent damage from dirt, adhesives or any other debris. It is also recommended to protect surrounding areas of the install location.
- For cleaning of the shower tray, please refer to the user and maintenance manual supplied.
- By following these steps, any issues will be avoided to the maximum.

1. Dimension & Placement Verification

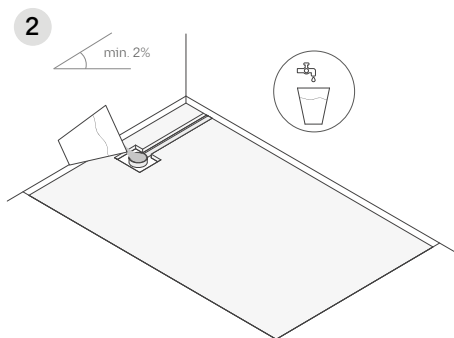
Confirm the dimensions of the shower tray in its location and set the drain valve placement. This step will assure the connection between waste outlet and pipe. If this dimensions do not align, please prepare the space required for the elements.



2. Verification of Valve Connection

In case of using a valve with a vertical outlet, this step is not necessary. Just need to plug the drain pipe during installation of the shower tray to prevent construction debris from falling.

In case of using a valve with side outlet, connect it to the evacuation pipe, well by thread or with an appropriate PVC adhesive, leaving a minimal slope of 2%. Check for leaks between the connections. It is very important to plug the drain pipe during installation of the shower tray to prevent construction debris from falling.



3. Preparing the substrate

It is important to ensure a surface continuous, flat and leveled in the both dimensions of the shower tray. Make a surface regulation using fast setting mortar with low shrinkage and cover the entire space where the shower tray will be installed. Once the mortar is cured, clean the entire area.

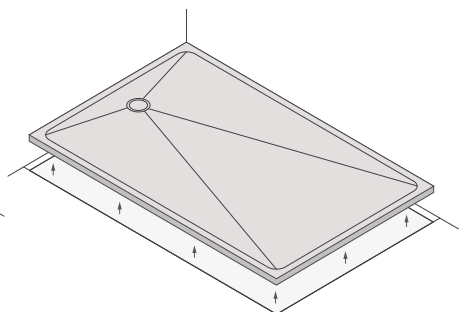
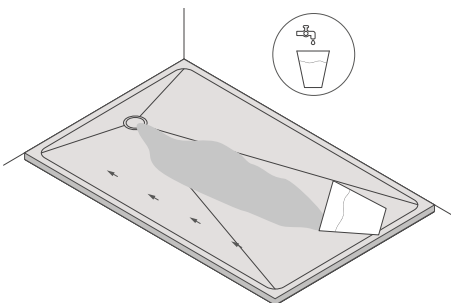
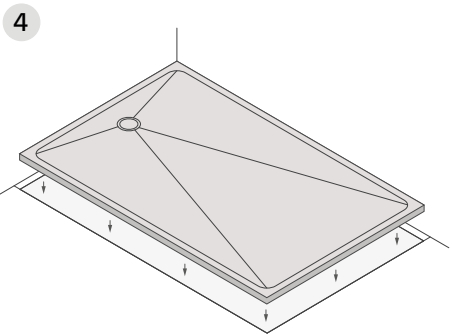
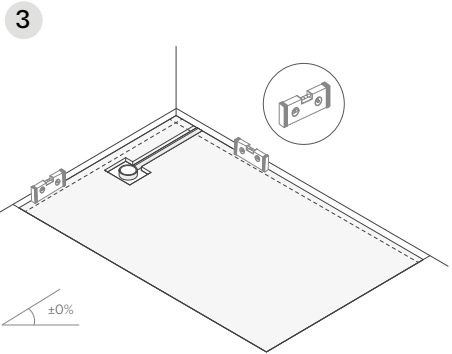
4. Initial Evacuation Test

Present the shower tray in its definitive position to proceed with the first evacuation test of the unit and verify the correct slope of the support. It is necessary to connect the drain valve according to the supplied instructions.

Afterwards, use a bucket to pour water from the far end side furthest from the drain to proceed with the initial evacuation test, before installing the shower tray. If the water on the shower tray does not drain towards the hole at the opposite side of the tray, we recommend to wedge the far end of the shower tray between 2 or 3 mm, to create more slope towards the drain.

Once the water drains properly towards the drain hole, the initial test is done. Then disassemble the valve and remove the shower tray to proceed with installation.

WARNING: If you are going to install a Tile Flange, at this point consult the corresponding installation annex.



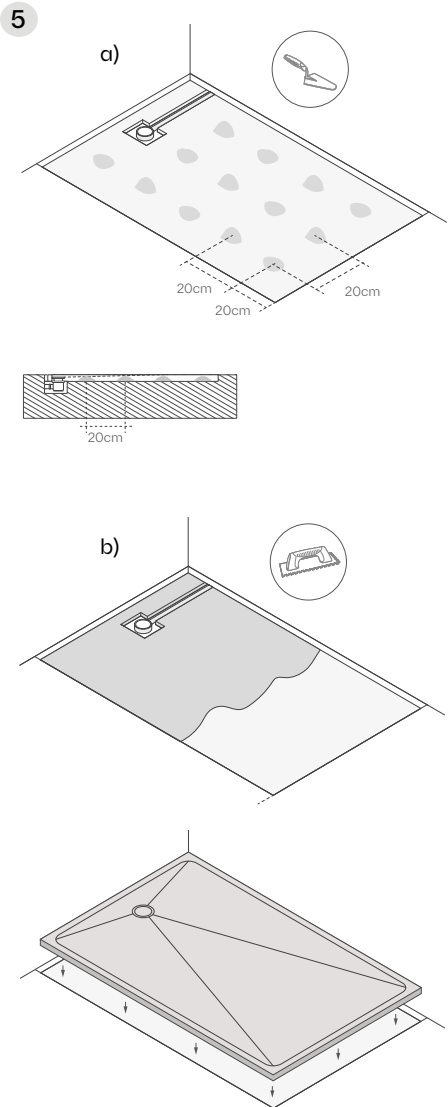
5. Shower Tray Installation

Once the initial evacuation test is completed and before gluing the shower tray to the floor, fix the valve and pipe to make sure it does not move or sink.

a) For framed shower trays: apply different spots of chemical setting adhesive (bicomponent), that complies with the C2S2 classification according to EN 12004, spaced every 20cm (8") in both directions. Then place the shower tray, leaving a minimum open joint recommended of 3mm in its perimeter, and press on its entire surface.

b) For flat bottom shower trays: apply a thin-bed of chemical setting adhesive (bicomponent), that complies with the C2TES2 classification according to EN 12004, using a notched trowel to ensure the correct thickness and distribution across the entire surface. Then place the shower tray, leaving a minimum open joint recommended of 3mm in its perimeter, and press on its entire surface.

WARNING: If there is any doubt, consult the flooring installation manuals or ask to the Quality or Product departments. Always follow the specific application instructions of the adhesive supplier. During installation, the top of the tray must be protected with cardboard or plastic to prevent damage to its surface.

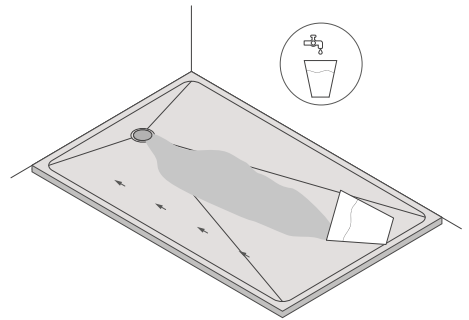
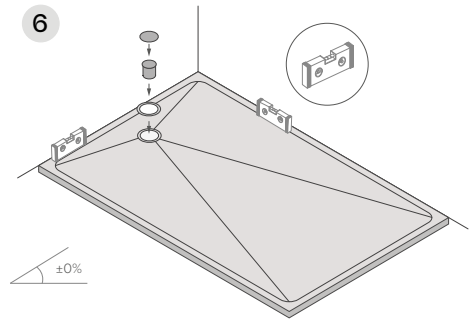


6. Drain Valve Installation

Install the drain valve according to the instructions supplied. It is importantly do not use electric screwdrivers, installation must be done manually.

Check again the shower tray level, before letting the adhesive completely dry. This last level check will be the assure that there will be no water evacuation problems in the future.

Afterwards, perform a second evacuation test by pouring some water from a bucket to avoid getting the joints wet. Do this test both sides of the shower tray.

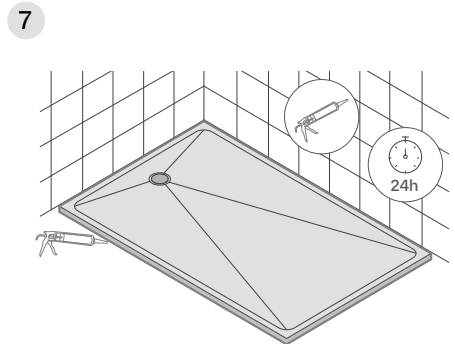


7. Perimeter Sealing of the Shower Tray

Once the shower tray has been installed, proceed with tiling or vertical cladding according to the desired system. After applying and leave drying the material grouting, it is important to ensure a correct sealing with 100% anti mold silicone around the perimeter of the shower tray.

Drying time:

After completing the installation, wait minimum 24h for drying and curing completely of the adhesives and clean the remnants of excess grouting material.



COSENTINO®

355 Alhambra Circle Suite 1000
Coral Gables, FL 33134 , United States of America
786.686.5060
info@cosentino.com / www.cosentino.com
f GrupoCosentino @GrupoCosentino



* COMPANY WITH
MANAGEMENT SYSTEM
CERTIFIED BY DNV GL
= ISO 9001 =
= ISO 14001 =

* Get information about NSF certified colors at
www.nsf.org

REV 01 - 1/2020